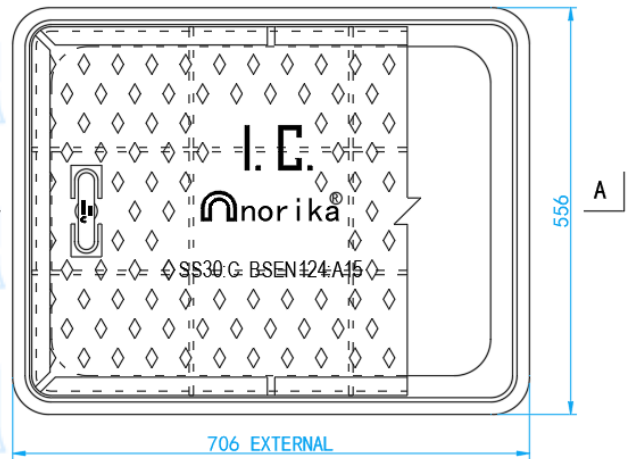
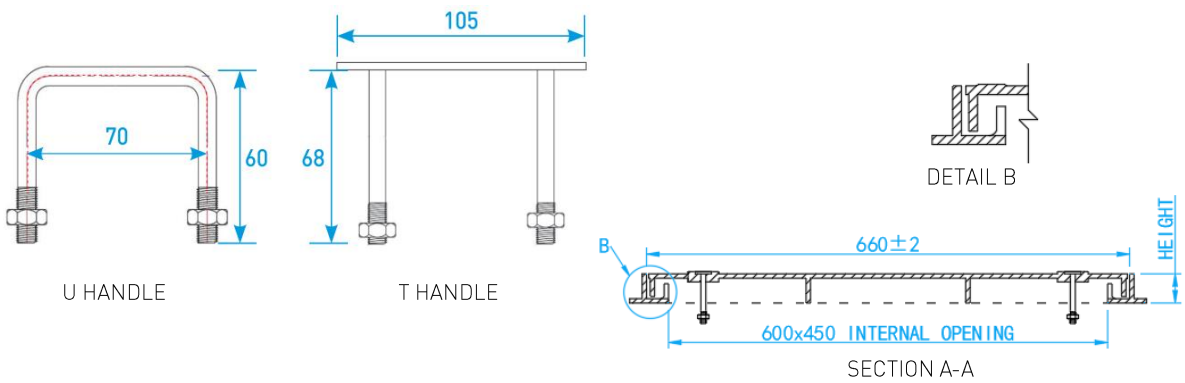


# DUCTILE IRON LIGHT DUTY INSPECTION COVER & FRAME

COMPLY WITH BSEN 124:1994[30KN]  
SS30:1999



Type of Weight (Symbol)	SS30 Grade	Design Load	Place of Installation	BSEN124	Design Load
	C	30KN	In precincts which are inaccessible to motor vehicles.	A15	30KN



TOP VIEW

**DIMENSIONS**

SKU	MATERIAL	INTERNAL OPENING(mm)	EXTERNAL (mm)	HEIGHT (mm)	WEIGHT (kg)	Remarks / Optional
DIICCS	Ductile Iron	600X450	706X556	40	25±1	"T" Or "U" Handle

\* Please specify 'T' handle or 'U' handle, upon placing order.